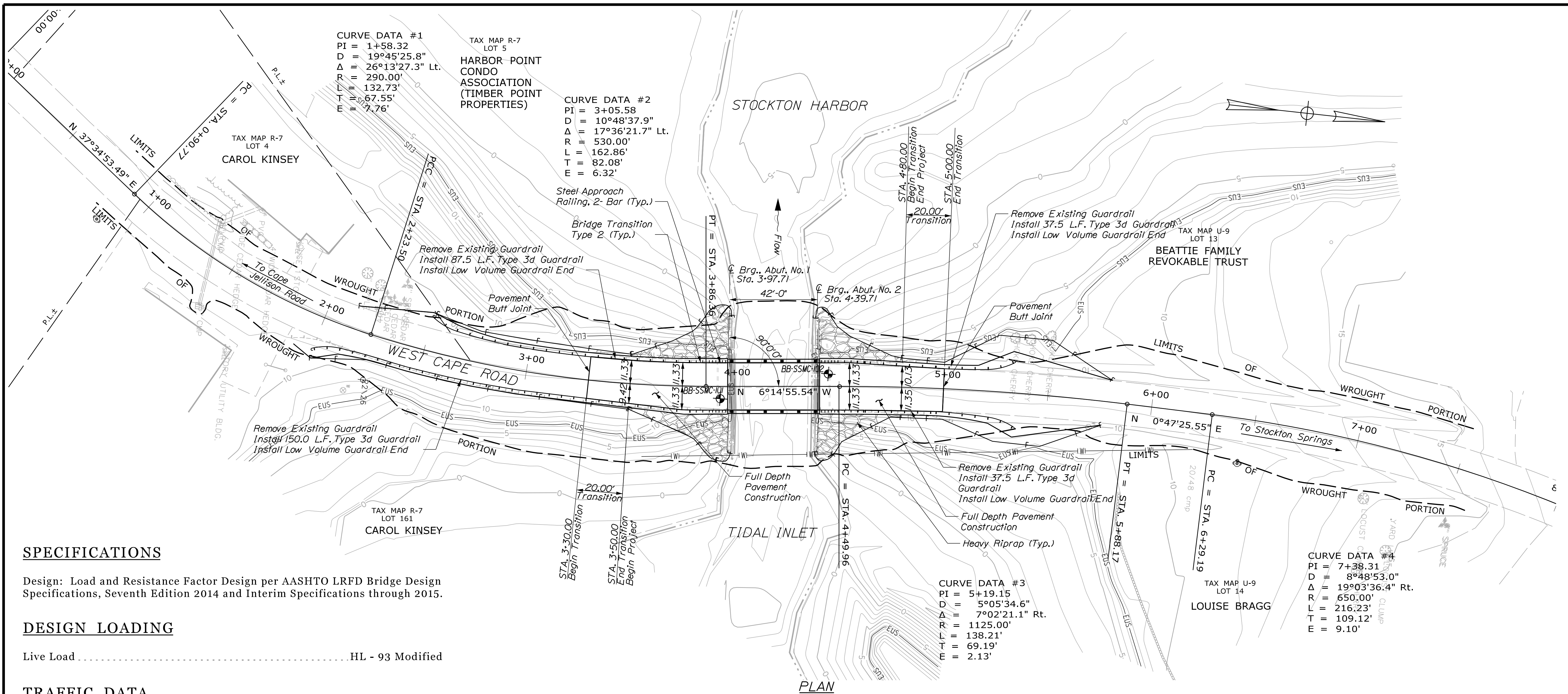


Date: 3/11/2016

Username: DBilodeau

Division: BRIDGE

Filename: ... \MSTAN001_Plon_Prelim.dgn



SPECIFICATIONS

Design: Load and Resistance Factor Design per AASHTO LRFD Bridge Design Specifications, Seventh Edition 2014 and Interim Specifications through 2015.

DESIGN LOADING

Live Load HL - 93 Modified

TRAFFIC DATA

Current (2013) AADT	348
Future (2033) AADT	522
DHV - % of AADT	12%
Design Hour Volume	77
Heavy Trucks (% of AADT)	10%
Heavy Trucks (% of DHV)	10%
Directional Distribution (% of DHV)	60%
18 kip Equivalent P 2.0	27
18 kip Equivalent P 2.5	26
Design Speed (mph)	35

HYDROLOGIC DATA

Drainage Area	103 sq mi
Design Discharge (Q50)	158.0 cfs
Check Discharge (Q100)	184.8 cfs
Headwater Elevation (Q50)	9.3 ft (Tidal Side)
Headwater Elevation (Q100)	10.3 ft (Tidal Side)
Discharge Velocity (Q50)	
Discharge Velocity (Q100)	14.0 fps
Headwater Elevation (Q1.1)	8.0 ft (Tidal Side)
Discharge Velocity (Q1.1)	9.6 fps
Headwater Elevation (Q25)	
Mean Lower Low Water (MLLW)	-5.4 ft
Mean Low Water (MLW)	5.0 ft
Mean Tide Level (MTL)	0.19 ft
Mean High Water (MHW)	5.4 ft
Mean Higher High Water (MHHW)	5.8 ft
2015 Predicted High Tide	8.0 ft (10/28/15)

MAINTENANCE OF TRAFFIC

Road Closure with 5.2 Mile Detour to Cape Jellison Road

UTILITIES

Central Maine Power
FairPoint Communications
Searsport Water District
Time Warner Cable

APPROXIMATE COST

Including Engineering - \$500,000

PROJECT LOCATION:	Cape Jellison Road over Tidal Inlet Latitude 44°-28'-40.72" N Longitude 68°-50'-43.72" W
PROGRAM AREA:	Bridge Program
OUTLINE OF WORK:	Superstructure Replacement with Approximately 130' of Approach Work

STATE OF MAINE
DEPARTMENT OF TRANSPORTATION
STP-1666(500)
WIN
016665.00
BRIDGE NO. 3176
BRIDGE PLANS

PROJ. MANAGER	L. TIMBERLAKE	BY	D. BILDEAU	DATE	12/2015
DESIGN-DETAILED	C. WEAVER	CHECKED-REVIEWED	T. MARSHALL	M. STEELE	12/2015
DESIGN-DETAILED		DESIGN-DETAILED			
REVISIONS 1		REVISIONS 2		REVISIONS 3	
REVISIONS 4		REVISIONS 5		REVISIONS 6	
FIELD CHANGES					

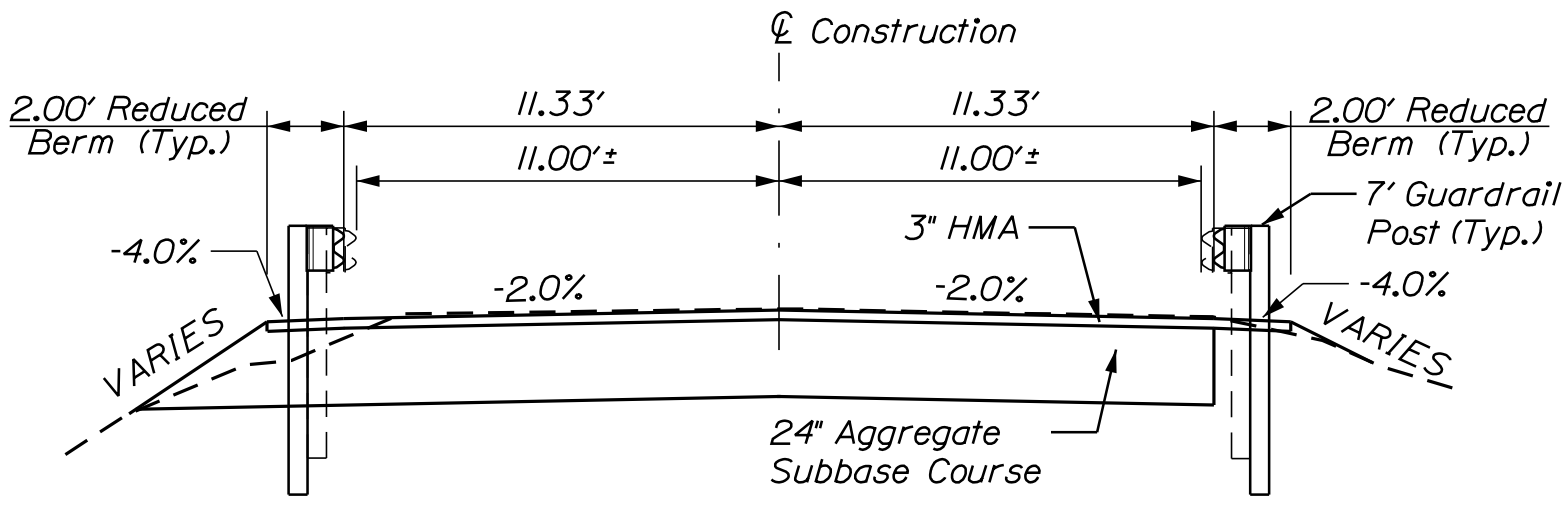
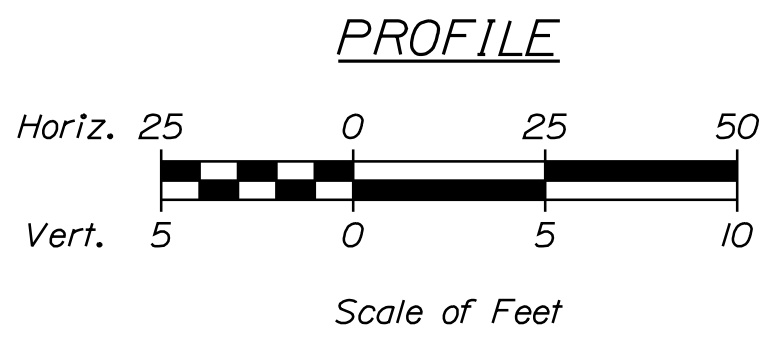
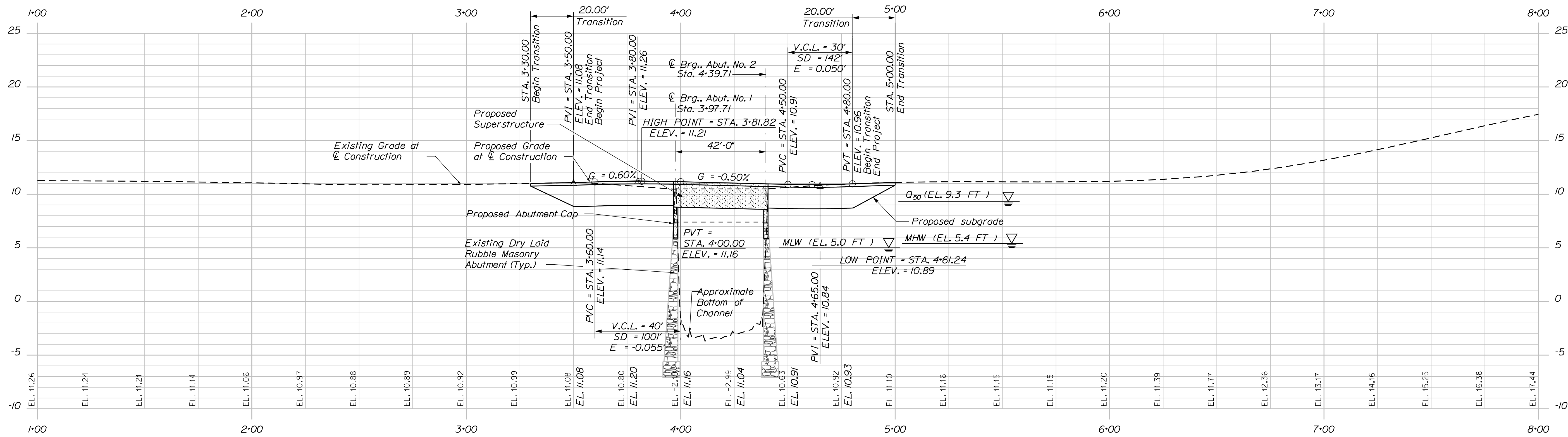
SIGNATURE	
P.E. NUMBER	
DATE	

CAPE JELLISON BRIDGE
TIDAL INLET
STOCKTON SPRINGS WALDO COUNTY
PRELIMINARY PLAN

SHEET NUMBER

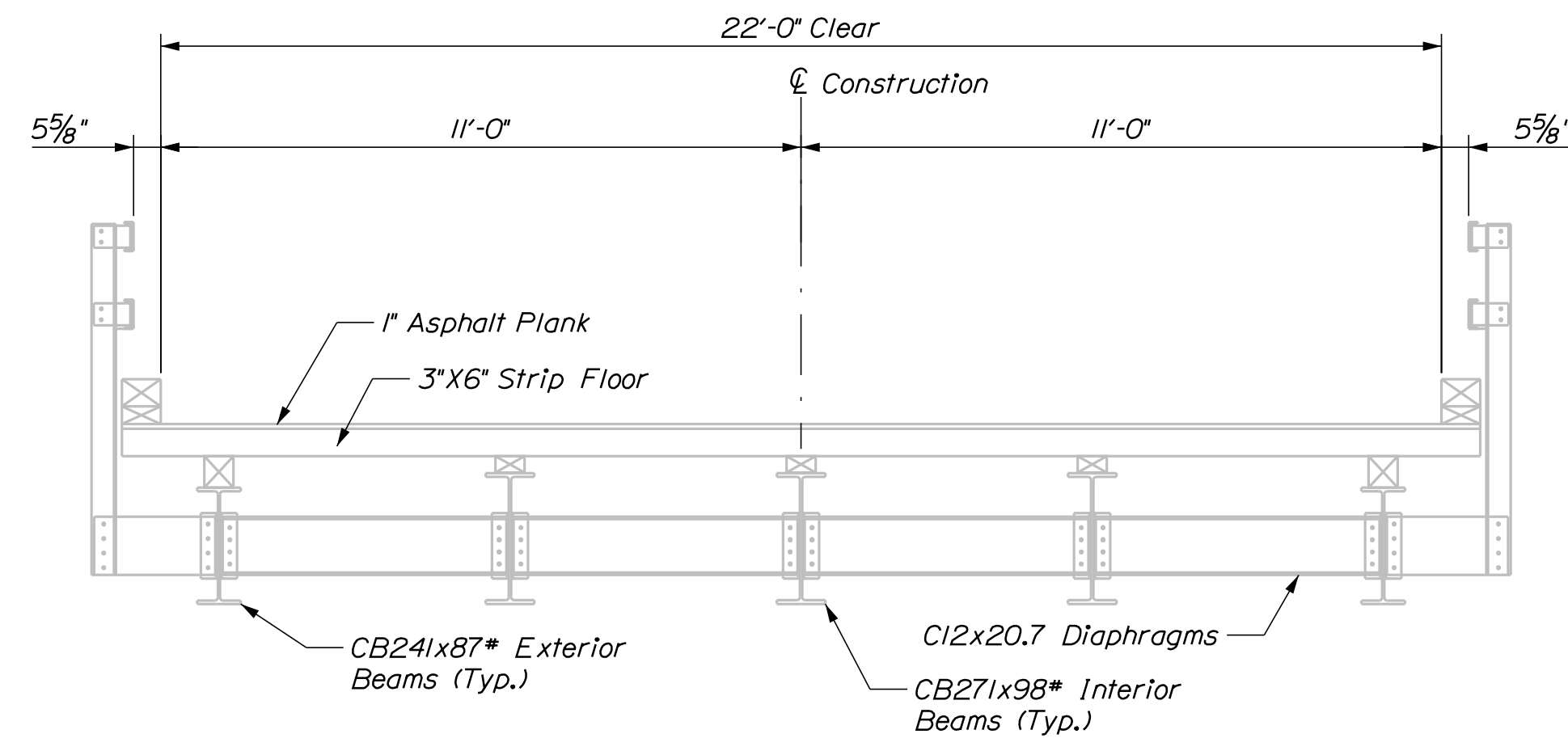
1

OF 3

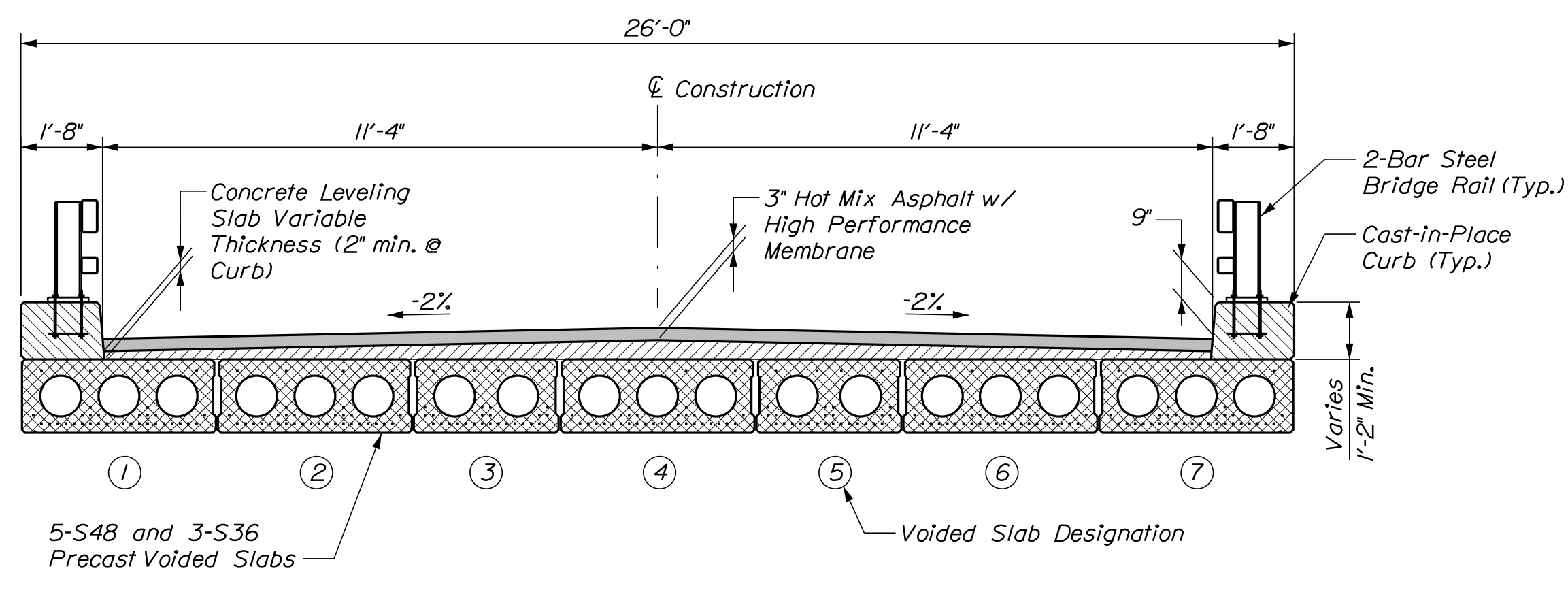


TYPICAL SECTION - FULL DEPTH RECONSTRUCTION
 Sta. 3+50.00 to Sta. 3+96.71
 Sta. 4+40.71 to Sta. 4+80.00

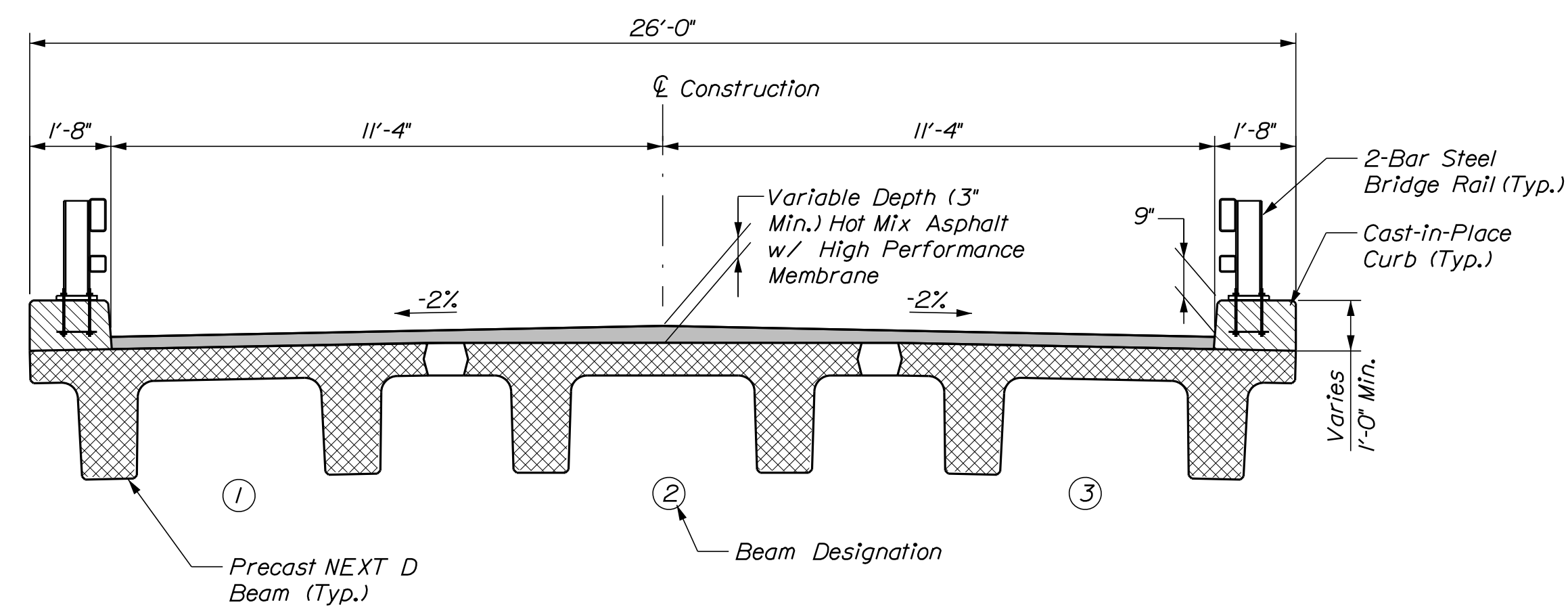
STATE OF MAINE DEPARTMENT OF TRANSPORTATION		STP-1666(500)	
CAPE JELLISON BRIDGE TIDAL INLET STOCKTON SPRINGS WALDO COUNTY		BRIDGE NO. 3176 WIN 016665.00	
PROFILE & TYPICAL SECTION		BRIDGE PLANS	
PROJ. MANAGER	L. TIMBERLAKE	BY	DATE
DESIGN-DETAILED	C. WEAVER	D. BILLOREAU	12/2015
CHECKED-REVIEWED	T. MARSHALL	M. STEELE	12/2015
DESIGN-DETAILED			
REVISIONS 1			
REVISIONS 2			
REVISIONS 3			
REVISIONS 4			
FIELD CHANGES			
SHEET NUMBER		DATE	
2		SIGNATURE	
OF 3		P.E. NUMBER	



EXISTING BRIDGE SECTION



PROPOSED BRIDGE SECTION
ALTERNATIVE 1A



PROPOSED BRIDGE SECTION
ALTERNATIVE 1B

STATE OF MAINE		DEPARTMENT OF TRANSPORTATION		STP-1666(500)		WIN		016665.00		BRIDGE NO. 3176		BRIDGE PLANS	
CAPE JELLISON BRIDGE		TIDAL INLET		WALDO COUNTY		BRIDGE SECTIONS		SHEET NUMBER		3		OF 3	
PROJ. MANAGER	L. TIMBERLAKE	BY	D. BLODFAU	DATE	12/2015	DESIGN DETAILED	C. WEAVER	CHECKED	M. STEELE	DATE	12/2015	SIGNATURE	
DESIGN REVIEWED	T. MARSHALL	DESIGN DETAILED		REVISIONS 1		REVISIONS 2		REVISIONS 3		REVISIONS 4		P.E. NUMBER	
FIELD CHANGES												DATE	